



SPECIFICATIONS

1 General

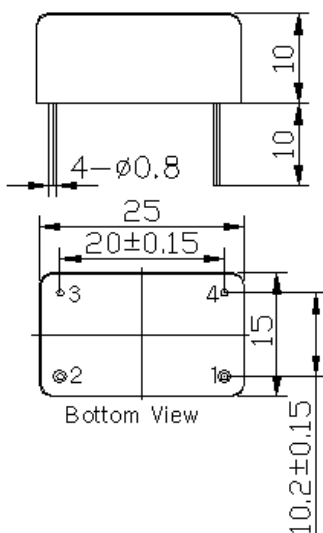
Part Number	Description
LR13.56M03X5A	13.56MHz LC Filter, Band Stop, DIP Package

2 Revision History

Revision	Released	Revision Detail
R1	2024-05-06	Initial

3 Electrical Specification

Item	Typical
Nominal Frequency (f0, MHz)	13.56
Insertion Loss (dB)	≤0.5
Attenuation at f0±150kHz (dBc)	≥18
Attenuation at f0 (dBc)	≥40
Attenuation at 12.71MHz and 14.41MHz (dB)	≤3
Input /Output Impedance (Ω)	50
Operation Temperature (°C)	-20 ~ +70
Storage Temperature (°C)	-40 ~ +85
Package Size (mm)	25X15X10



Pin No.	Description
1	Input/Output
2	Output/Input
3,4	Ground

Unit:mm